



ATHLON
OPTICS

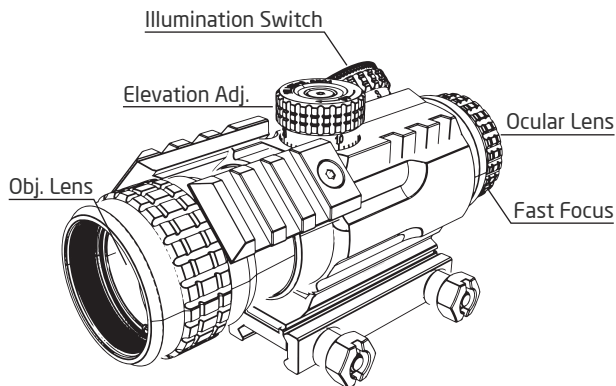
PRISM SCOPE

USER MANUAL
AND CARE INSTRUCTIONS



Table of Content:

1. Mounting the Scope
 - a) Focusing the Scope
 - b) Adjustment for Maximum Eye Relief
 - c) Bore Sighting
 - d) Zeroing the Scope
2. Reticle
3. Maintaining the Scope
4. Troubleshooting



Congratulations on purchasing an Athlon Prism Scope. Athlon is the ancient Greek word for "Prize" or "Medal." We think that with the purchase of your Athlon product you have won the best "prize" on the market today. Great Quality while still being a great value.

1. Mounting Your Athlon Prism Scope

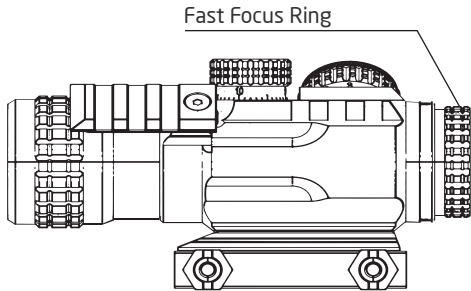
CAUTION: BEFORE MOUNTING A SIGHTING DEVICE BE SURE THAT THE FIREARM IS NOT LOADED, HAS ACTION OPEN AND THE MUZZLE POINTING IN A SAFE DIRECTION. SAFE FIREARM HANDLING PROCEDURES NEED TO BE PRACTICED AT ALL TIMES.

To achieve the best performance from your rifle and your Athlon Prism Scope, your scope must be mounted properly. If you are unfamiliar with proper procedures to mount a scope, we highly recommend to have the scope mounted by a qualified gunsmith

Your Athlon Prism Scope comes with a mount that works with most of standard picatinny rails. Please note that the center height of the Prism Scope is 1.4 inches from the center of the scope to the surface of the rail.

a) Focusing the Scope

The purpose of the Fast Focus eyepiece is to focus the reticle in the scope to your eyes. For a fast focus eyepiece, just simply rotate the fast focus ring at the end of the eyepiece in either direction to get a perfect clear reticle while looking through the scope pointing at a flat plane surface. This is important to do prior to mounting.



b) Adjust for Maximum Eye Relief

- i. You need to adjust the scope for maximum eye relief before tightening of the scope mount to avoid injury from recoil.
- ii. With the rifle in normal shooting position, look through the scope and slowly move the scope and mount back towards

you. When you finally see the full field of view with sharp and clear edges, stop.

- iii. Tighten the mount on the base or rail on top of your rifle.

c) Bore Sighting

Bore sighting is a preliminary procedure to achieve proper alignment of the scope with the rifle's bore.

- i. The initial bore sighting of the scope can be at short range of 50 yards. This is easier than trying to bore sight at 100 yards and will get you on the paper at that distance, so to save time and money at the shooting range. We highly recommend using a bore sighter, but make sure to follow the manufacturer's instructions.
- ii. This can also be done by removing the bolt and sighting through the barrel on a bolt action rifle. Make sure the rifle is placed solidly on a bench and the bolt is removed. You can then sight through the bore and center the target inside the barrel. With target centered in the bore, make windage and elevation adjustments until the reticle crosshair is also centered over the bulls eye.

d) Zeroing the Scope

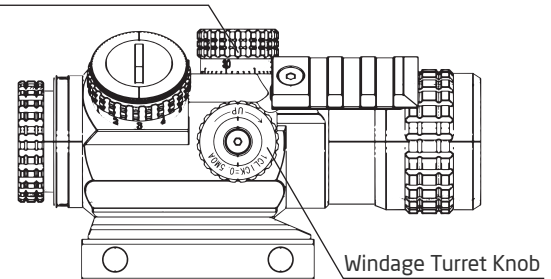
IF A LASER BORE SIGHTING OR ANY OTHER SIMILAR DEVICE INSIDE THE BORE WAS USED, IT MUST BE REMOVED BEFORE FIRING. AN OBSTRUCTED BORE CAN CAUSE SERIOUS DAMAGE TO THE GUN AND POSSIBLE INJURY TO THE SHOOTER.

- i. Ideally set the rifle on a two or three holding point gun rest, and then fire three rounds at a target 100 yards away. Observe the bullet holes on the target and calculate how far those bullet holes are off the center of the target, and then adjust windage and elevation knobs to move the center of reticle up, down, left or right. Fire another three rounds, then observe and adjust. Repeat this step as necessary until the three round bullet holes are perfectly aligned with the center of the target.
- ii. Setting Windage and Elevation
Athlon Prism Scopes have removable locking screws of windage and elevation turret knob. Once a rifle has been sighted in, simply remove the screw and take out the turret knob. Put the turret knob back on with zero line aligned with the white dot below the turning knob, then tighten the screw to lock it in. By zeroing the rifle at 100 yards, the shooter can calculate how many clicks of adjustment are needed for different

distances or wind conditions. After shooting, the shooter can quickly reset the prism scope back to 100 yards by turning the knobs back to zero.

Athlon Prism Scopes have several options available, 1MOA (PR11), 1/5 MOA (PR31 and PR41), for click values of elevation and windage adjustment. MOA, a unit of angular measurement, is defined as a minute of angle, a minute is 1/60th of one degree and 1/21600th of a circle. One MOA equals 1.047-inch (rounded down to one inch) at 100 yards, two inches at 200 yards and to ten inches at 1000 yards. 1/4 MOA per click takes four clicks to move point of impact one inch at 100 yards and 1/8 MOA per click takes eight clicks at 100 yards.

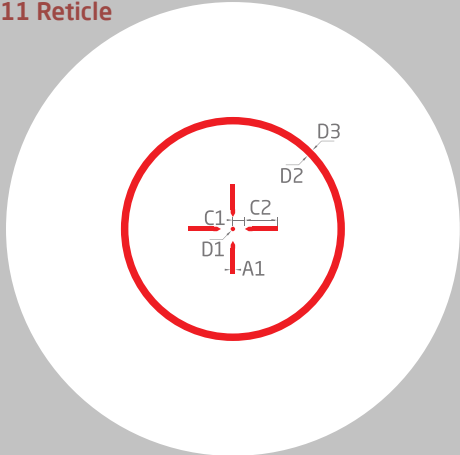
Elevation Turret Knob



2. Reticles

The PR11 has fixed 1x magnification with APSR11 reticle that is designed for short range quick target engagement. The PR31 has fixed 3x magnification with APSR31 reticle and The PR41 has fixed 3.9x magnification with APSR41 reticle. Please refer to below drawings for reticle subtension details.

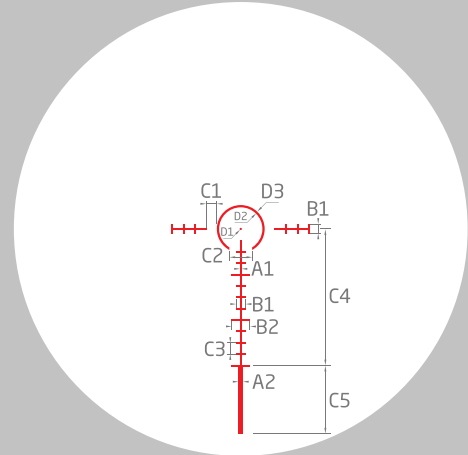
APSR11 Reticle



APSR11	A1	C1	C2	D1	D2	D3
SUBTENSIONS IN MOA	3	8	22	3	150	160

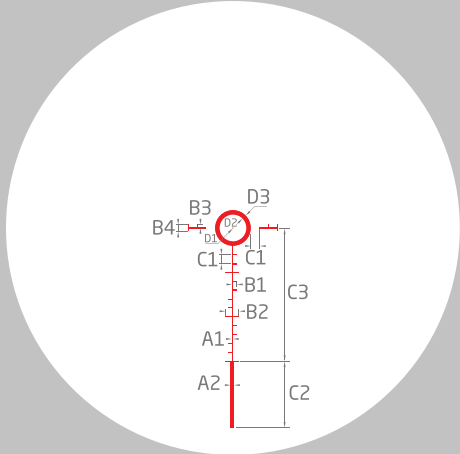
APSR31 Reticle

APSR31	A1	A2	B1	B2	C1	C2
SUBTENSIONS IN MOA	.6	1.8	4	8	4.5	10
C3	C4	C5	D1	D2	D3	
5	60	30	1	19	21	



APSR41 Reticle

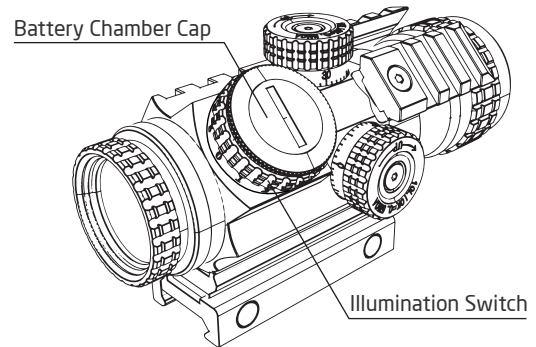
APSR41	A1	A2	B1	B2	B3	B4
SUBTENSIONS IN MOA	.45	1.5	2	6	1.5	3
	C1	C2	C3	D1	D2	D3
	4	30	60	.5	12	16



a) Illumination Settings

The illumination switch is set on the top or 45 degree of the scope chassis. Athlon offers variable 1-6 brightness settings and two colors settings (red and green) for the reticle. The numbers on the knob indicate different brightness settings and the color of the numbers indicate the color of the reticle. The "Off" setting is indicated by a "0" between numbers for two color settings.

The illumination is powered by a lithium CR2032 3V battery. Remove the battery chamber cap by turning it counter-clockwise and then set the battery with the positive (+) side facing up. Re-install the cap by turning it clockwise, DO NOT OVER TIGHTEN.



3. Maintaining your prism scope

- a) Disassembling or cleaning the scope internally will void the warranty. If the scope requires repairs, please refer to the warranty section for complete instructions.
- b) The external optical surfaces should occasionally be wiped clean. Use the lens cloth provided or an optical quality lens paper to wipe out dust or dirt on the external lens surface. If large sand particles or heavy dirt contamination is observed, remove using soft brush or by blowing them away. Apply lens cleaning liquid before wiping off. Always keep the protective lens covers in place when the scope is not in use to avoid dust collecting on the surface of the lenses. Store the unit in a low-humidity environment.

4. Troubleshooting Tips - Inaccuracy Issues

- a) Check scope mounting and make sure there is no movement when pulling the scope by hands. Tighten the mounts if there is any movement observed.
- b) Use a bench rest or sandbag to support the barrel and stock when making windage and elevation adjustments. This will help eliminate movement.
- c) It is recommended using the same type of ammunition with same weight.
- d) Check your rifle stock, as a loose stock changes the point of impact.
- e) Make sure your rifle chamber and barrel are clean
- f) Make sure rifling of the barrel is not damaged and no excessive grease inside the barrel
- g) For any technical related questions, please contact Athlon Optics at contact@athlonoptics.com or call toll free 1-855-913-5678

THE ATHLON GOLD MEDEL LIFETIME WARRANTY*

Your Athlon product is not only warranted to be free of defects in materials and workmanship for the lifetime of the product. Athlon will also repair or replace, at no charge to you, your product if you should damage it through normal use. No receipt is needed, no registration is required. This is a commitment that Athlon Optics will be the best product you can buy for your money.

**This warranty does not cover damages caused by deliberate damage, misuse, theft or maintenance provided by someone other than the Athlon Authorized Service Department.*





ATHLON
OPTICS

WWW.ATHLONOPTICS.COM



TOLL FREE: 1-855-913-5678



CONTACT@ATHLONOPTICS.COM



801 N MEADOWBROOK DR, OLATHE, KS 66062