

ATHLON
RIDICULOUSLY GOOD OPTICS

CRONUS ATS THERMAL MONOCULAR

35M-400



QUICK START GUIDE

athlonoptics.com

- IMPORTANT -

Welcome to the Athlon family and thank you for your purchase. Please read this guide before use and keep it for future reference.

This is a general guide for Cronus ATS family of thermal optics, which means that the specific model you receive may differ from the picture in this guide.

- FCC WARNING -

This equipment may generate or use radio frequency energy. Changes or modifications to this equipment may cause harmful interference unless the modifications are expressly approved in the instruction manual. The user could lose the authority to operate this equipment if an unauthorized change or modification is made.

This device complies with part 15 of the FCC Rules. Operation is subject to the following two conditions: (1) This device may not cause harmful interference, and (2) this device must accept any interference received, including interference that may cause undesired operation.

The device has been evaluated to meet general RF exposure requirement. The device can be used in portable exposure condition without restriction.

NOTE: This equipment has been tested and found to comply with the limits for a Class B digital device, pursuant to part 15 of the FCC Rules. These limits are designed to provide reasonable protection against harmful interference in a residential installation. This equipment generates, uses and can radiate radio frequency energy and, if not installed and used in accordance with the instructions, may cause harmful interference to radio communications. However, there is no guarantee that interference will not occur in a

particular installation. If this equipment does cause harmful interference to radio or television reception, which can be determined by turning the equipment off and on, the user is encouraged to try to correct the interference by one or more of the following measures:

- Reorient or relocate the receiving antenna.
- Increase the separation between the equipment and receiver.
- Connect the equipment into an outlet on a circuit different from that to which the receiver is connected.
- Consult the dealer or an experienced radio/TV technician for help.
- The rating information is located at the bottom of the unit.

- PRECAUTIONS -

DANGER

- 1) Please charge the battery with the method described in this guide and follow the charging procedure and precautions. Improper battery charging will cause heating, damage and even physical injury.
- 2) Do not try to open or disassemble the battery at any time.

WARNING

- 1) This optic contains advanced electronics. To prolong the life of this optic, avoid any undue physical damage or violent actions;
- 2) Do not use or store the equipment in an environment that exceeds the allowable operating or storage temperature;
- 3) Do not directly aim the equipment at high-intensity thermal radiation sources, such as the sun, lasers, spot welding machines, etc.;
- 4) Avoid allowing debris to enter any ports in this optic;

- 5) Do not knock, throw or vibrate instruments and accessories to avoid damage;
- 6) Any modification, alterations or attempts to disassemble this optic will void the user's warranty. All repairs must be made through Athlon Optics;
- 7) Avoid contaminating this optic with oils or solvents;
- 8) Please observe the following measures when wiping this device:
 - Non-optical surface: Use clean and soft cloth to wipe the non-optical surface of the device;
 - Optical surface: When using this device, avoid contaminating the optical surface of the lens, especially avoid touching the lens with your hands, because the sweat on your hands will leave traces on the lens glass and may corrode the optical coating on the glass surface. When the surface of the optical lens is polluted, use special lens paper to wipe it carefully;
- 9) Do not place the battery in a high temperature or near a high-temperature object;

- 10) Do not short circuit the positive and negative poles of the battery;
- 11) Do not expose the battery to moisture or water;
- 12) Do not use non-original adapters or chargers.

▲ The battery can only be charged through the provided battery charger.

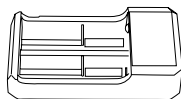
▲ The battery can not be charged through USB-C port while inside the battery chamber of the device.

- LIST OF PARTS -

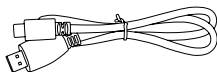
Number	Items	Qty
1	18650 battery	2
2	18650 charger	1
3	USB Type-C cable	1
4	Carrying case	1
5	Eyeshade	1
6	Wrist strap	1



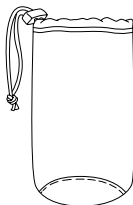
18650 battery



18650 charger



USB Type-C cable



Carrying case

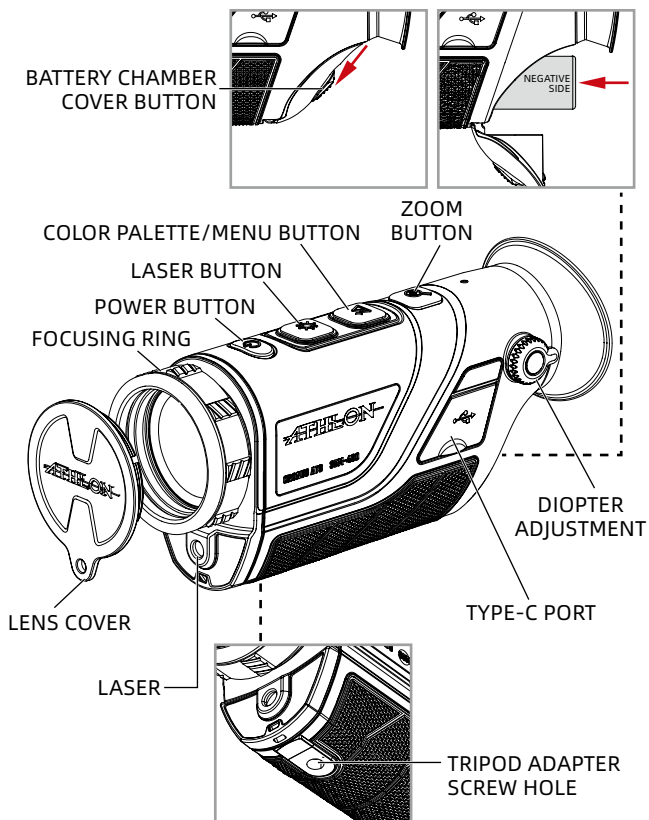


Eyeshade



Wrist strap

- INTRODUCTION TO PRODUCT PARTS -



1. FOCUSING RING

The image may appear blurry when the distance to the target changes. Turn the focusing ring to refocus until the target image is clear.

2. LENS COVER

Please cover the lens when not using the product to protect the lens!

3. USB TYPE-C PORT

Use the USB cable to connect external power via the type-C port to supply power to the product.

The output specification of external power is 5V 2A.

You can also use the cable to project the thermographic image to an external monitor.

4. BATTERY COVER

Press the battery chamber cover button and slide down to open the cover and place the battery with the positive side facing down.

▲ Note: Please place the battery in the direction shown. Do not push in with excessive force.

5. TRIPOD INTERFACE

1/4 inch standard thread compatible with most tripods.

- QUICKSTART INSTRUCTIONS -

Buttons	Current Device Status	Short press	Long press
Power button	Power on & Menu display off	Calibration	Display off/ Power off
	Power off	/	Power on
	Display off	Display on	Display on
	Power on & Menu display on	Calibration	Display off/ Power off
Laser button	Power on & Menu display off	Laser On/Off	/
	Power on & Menu display on	Move Menu display to the left	Keep Menu active
Color Palette/ Menu Button	Power on & Menu display off	Change the color palette	Activate Menu
	Power on & Menu display on	Switch among Menu options	Exit Menu & Save
Zoom button	Power on & Menu display off	Quick Zoom	/
	Power on & Menu display on	Move Menu display to the right	Keep Menu active

[BUTTON DESCRIPTION]

1. POWER BUTTON

- **POWER ON**

Long press the Power button until the boot screen appears in the eyepiece, then the device is turned on successfully.

- **POWER OFF**

Manual power-off: Long-press the Power button and release it when 5 progress bars appear, and the shutdown is completed.

Automatic power-off: In the set automatic power-off time (see page 16), without any button operation, the optic will power down.

- **DISPLAY OFF**

Press and hold the power button, the progress bar of power-off will be displayed. Before the progress bar is finished, release the power-off button to activate the Display off mode.

- **DISPLAY ON**

In Display off mode, long press or short press the power button to wake up the screen.

- **COMPENSATION**

The thermal sensor needs to be calibrated from time to time in order to achieve the best thermal image quality. Short press the power button when the

device is ON to complete the calibration process. The calibration can be set in three different compensation modes (Automatic, Scene and Shutter Mode) through the APP. Automatic Mode sets the device closing the shutter every two minutes to create an even temperature surface to refresh the thermal sensor. Scene Mode sets short pressing the power button to capture an even temperature surface to refresh the thermal sensor. The best way to perform Scene Mode compensation is doing it with the lens cap closed. Shutter Mode sets short pressing the power button to close the device shutter and create an even temperature surface to refresh the thermal sensor. A prompt indicating successful calibration will be displayed at the top of the screen.

2. LASER BUTTON

When the Menu is not activated, short press the laser button to turn on/off the laser pointer.

When the Menu is activated, short press the laser button to move the Menu display to the left.

When the Menu is activated, long press the laser button to keep the Menu active.

3. COLOR PALETTE/MENU BUTTON

When the Menu is not activated, short press the color palette button to switch between different color palettes,

such as white hot, black hot, red hot, iron red, blue hot, and green hot.

When the Menu is not activated, long press the color palette button to activate the Menu.

When the Menu is activated, short press the color palette button to switch among the Menu options.

When the Menu is activated, long press the color palette button to exit the Menu and save the settings.

4. ZOOM BUTTON

When the Menu is not activated, short press the zoom button to choose from 2.6X, 5.2X, 10.4X, and picture-in-picture (PIP).

When the Menu is activated, short press the zoom button to move the Menu display to the right.

When the Menu is activated, long press the zoom button to keep the Menu active.

[FUNCTION DESCRIPTION]

1. Hotspot tracking

When hotspot tracking is turned on, a blue green arc box will be displayed, with a dotted cursor in the middle to track the highest temperature spot in the entire image.

2. Wi-Fi

When the mobile client and the device are connected, real-time videos can be recorded on the mobile phone,

the device can be operated through the APP.

▲ Note: Search and download the 'Athlon Thermal' APP in the mobile application market, open the APP, and find 'Cronus ATS 35M-400' in the WLAN settings of the mobile phone, enter the password '12345678', and return to the APP again.

3. Working indication light

The working indication light can be turned on or off.

4. Video output

The device video output switch can be turned on or off.

5. Scene mode

There are three scene modes that can be set: Nature/Enhancement/Highlight.

6. PIP (picture-in-picture)

Choose between four available options: Off, Top Left, Top Center, and Top Right.

7. Screen brightness

Five screen brightness levels are available, and the screen brightness may be observed and adjusted in real time.

8. Image brightness

Five detector brightness levels are available, and the

image brightness may be observed and adjusted in real time.

▲ Note: The value after brightness adjustment will be saved in the current scene mode.

9. Image contrast

Five levels of image contrast are available, and the image contrast may be observed and adjusted in real time.

▲ Note: The value after contrast adjustment will be saved in the current scene mode.

10. Calibration Prompt

The prompt will appear on the screen indicating a successful calibration is completed.

11. Automatic sleep

Automatic sleep mode can be activated after 5/10/15min, if no operation is made within the set time. The time for sleep mode activation can be set through the APP.

12. Automatic power off

Automatic power off can be activated after 15/30/60min, if no operation is made within the set time. A countdown to power off will appear and the device will be powered off. The time for automatic power off activation can be set through the APP.

- TROUBLESHOOTING -

1. THE DEVICE CANNOT BE POWERED ON

Solution: Replace the battery or connect the adapter for power supply.

2. THE SCREEN GOES BLACK DURING USE

Solution: Short-press any button to wake up sleep and light up the screen.

3. THE IMAGE ON THE DISPLAY IS BLURRED IN USE

Solution: Turn the focus ring of the lens until the image sharpens.

- STORAGE AND TRANSPORTATION -

The following is about the correct storage and transportation methods of the product. In order to prevent danger and property loss, please read this guide carefully before using the device and strictly observe it during use. Please keep this guide properly after reading.

STORAGE

- The storage environment of packaged products is -22°F ~ 122°F, the relative humidity is not more than 95%, without condensation and corrosive gas, and is well ventilated and clean indoor.
- Please charge the battery once every 3 months.

TRANSPORTATION

During transport, it shall be protected against rain, water flooding, without severe vibration and impact.

**SHARP, TIGHT
AND PRICED
JUST RIGHT!**

Toll free: 1-855-913-5678

contact@athlonoptics.com

**10817 RENNER BLVD,
LENEXA, KS 66219**

athlonoptics.com