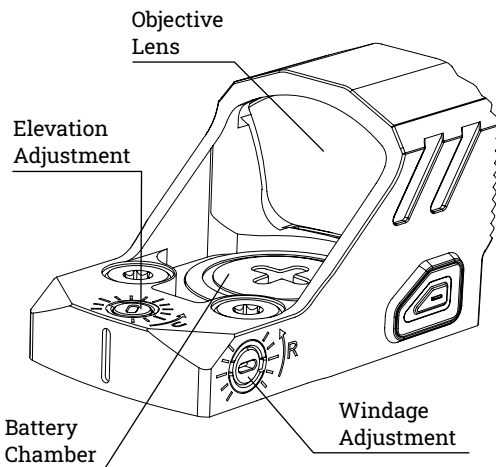


MIDAS EDC PRO

USER MANUAL
AND CARE INSTRUCTIONS



Congratulations on purchasing an Athlon Red Dot Sight. Athlon is the ancient Greek word for "Prize" or "Medal." We think with the purchase of your Athlon product you have won the best "prize" on the market today. Great Quality while still being a great value.



1. MOUNTING YOUR ATHLON RED DOT SIGHT

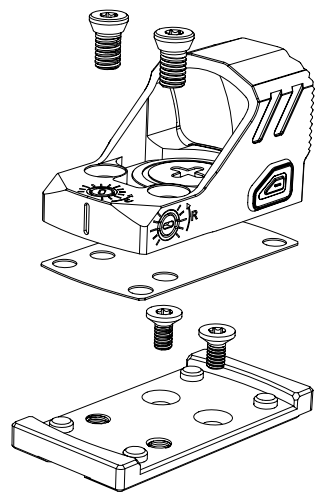
CAUTION: BEFORE MOUNTING A SIGHTING DEVICE BE SURE THAT THE FIREARM IS NOT LOADED, HAS ACTION OPEN AND THE MUZZLE POINTING IN A SAFE DIRECTION. SAFE FIREARM HANDLING PROCEDURES NEED TO BE PRACTICED AT ALL TIMES.

To achieve the best performance from your firearm and your Athlon Red Dot Sight, your Red Dot Sight must be mounted properly. If you are unfamiliar with proper procedures to mount a scope, we highly recommend to have the scope mounted by a qualified gunsmith

You can mount the Midas EDC PRO on select models of handguns that are designed for the Docter style optic footprint, or by using the appropriate adapter plate supplied by the firearm manufacturer.

MIDAS EDC PRO CENTER HEIGHT

With Mount 0.58 inches



A) EYE RELIEF

The Midas EDC PRO has unlimited eye relief. You can use the sight at any distance you feel comfortable.

B) BORE SIGHTING

Bore sighting is a preliminary procedure to achieve proper alignment of the sight with the rifle's bore. The initial bore sighting of the red dot sight can be at short range of 50 yards. This is easier than trying to bore sight at 100 yards and will get you on the paper at that distance, so to save time and money at the shooting range. We highly recommend using a bore sighter, but make sure to follow the manufacturer's instructions.

C) ZEROING THE SIGHT

IF A LASER BORE SIGHTING OR ANY OTHER SIMILAR DEVICE INSIDE THE BORE WAS USED, IT MUST BE REMOVED BEFORE FIRING. AN OBSTRUCTED BORE CAN CAUSE SERIOUS DAMAGE TO THE GUN AND POSSIBLE INJURY TO THE SHOOTER.

i. Ideally set the rifle on a two or three holding point gun rest, and then fire three rounds at a target 100 yards away. Observe the bullet holes on the target and calculate how far those bullet holes are off the center of the target, and then adjust windage and elevation knobs by using the wrench provided or simply a coin to move the center of reticle up, down, left or right. Fire another three rounds, then observe and adjust. Repeat this step as necessary until the three round bullet holes are perfectly aligned with the center of the target.

ii. Setting Windage and Elevation:
Athlon Midas EDC PRO Red Dot Sight has adjustable windage and elevation turrets. You can use the included screwdriver to make any adjustment for both elevation and windage.

Athlon Midas EDC PRO has a 1 MOA click value of elevation and windage adjustment. MOA, a unit of angular measurement, is defined as a minute of angle, a minute is a 1/60th of one degree and 1/21600th of a circle.

One MOA equals 1.047 - inch (rounded down to one inch) at 100 yards, two inches at 200 yards and to ten inches at 1000 yards. 1/2 MOA per click takes two clicks to move point of impact one inch at 100 and 1 MOA per click takes just one click at 100 yards.

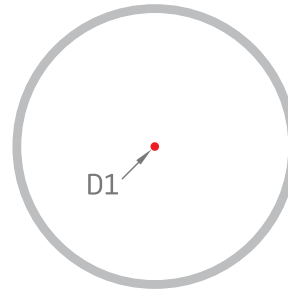
2. RETICLES

The Midas EDC PRO features a 3 MOA red dot with a fixed 1x magnification. This combination is ideally suited to perfectly balance accuracy and fast target/reticle acquisition.

MIDAS EDC PRO

D1 = 3 MOA

#403019



A) ILLUMINATION

The Midas EDC PRO is powered by a CR1632 battery, providing 50,000 hours of constant-on illumination. The illumination switch is set on the side of the scope chassis. The Midas EDC PRO has a total of 10 illumination settings. Press + or - button to turn the unit ON. Press and hold the - button for 3 seconds to turn it OFF. To enter lock mode, press and hold the + button for 3 seconds until the LED flashes once. To exit lock mode, press and hold the + button again for 3 seconds until the LED flashes once. When in lock mode, illumination cannot be adjusted and the unit cannot be shut off. Use the + button to make the reticle brighter and the - button to make it dimmer. The unit goes into sleep mode for any 5 minutes without motion and then turns back ON when a motion is detected. The motion detector is only working when the unit is powered ON. Remove the battery chamber cap by turning it counter-clockwise and then set the battery with the positive (+) side facing up. Reinstall the cap by turning it clockwise, DO NOT OVER TIGHTEN. The unit remembers the last illumination setting used when changing the battery.

3. MAINTAINING YOUR RED DOT SIGHTS

Disassembling or cleaning the sight internally will void the warranty. If the sight requires repairs, please refer to the warranty section for complete instructions.

The external optical surfaces should occasionally be wiped clean. Use the lens cloth provided or an optical quality lens paper to wipe out dust or dirt on the external lens surface. If large sand particles or heavy dirt contamination is observed, remove using soft brush or by blowing them away. Apply lens cleaning liquid before wiping off. Always keep the protective lens covers in place when the scope is not in use to avoid dust collecting on the surface of the lenses. Store the unit in a low-humidity environment.

For any technical related questions, please contact Athlon Optics at contact@athlonoptics.com or call toll free 1-855-913-5678

4. THE ATHLON GOLD MEDAL LIFETIME WARRANTY*

Demand the most from your equipment. When things go unexpectedly or accidents happen, rest assured, Athlon Optics carry a lifetime transferable warranty. Athlon guarantees to repair or replace your product if damaged through normal use. No charge; No receipt; No Registration required.



**This warranty does not cover damages caused by deliberate damage, misuse, theft or maintenance provided by someone other than the Athlon Authorized Service Department.*

WARNING



INGESTION HAZARD: This product contains a button cell or coin battery. Battery: CR2032. Nominal Voltage: 3.0V 10mAh. Remove and immediately recycle or dispose of used batteries according to local regulations and keep away from children. Do NOT dispose of batteries in household trash or incinerate. Even used batteries may cause severe injury or death.

Call a local poison control center for treatment information. Non-rechargeable batteries are not to be recharged. Do not force discharge, recharge, disassemble, heat above (manufacturer's specified temperature rating) or incinerate. Doing so may result in injury due to venting, leakage or explosion resulting in chemical burns.

Ensure the batteries are installed correctly according to polarity (+ and -).

Remove and immediately recycle or dispose of batteries from equipment not used for an extended period of time according to local regulations.

Always completely secure the battery compartment. If the battery compartment does not close securely, stop using the product, remove the batteries, and keep them away from children.

**SHARP, TIGHT
AND PRICED
JUST RIGHT!**

Toll free: 1-855-913-5678

contact@athlonoptics.com

10817 RENNER BLVD,
LENEXA, KS 66219

ATHLONOPTICS.COM