

ATHLON
RIDICULOUSLY GOOD OPTICS

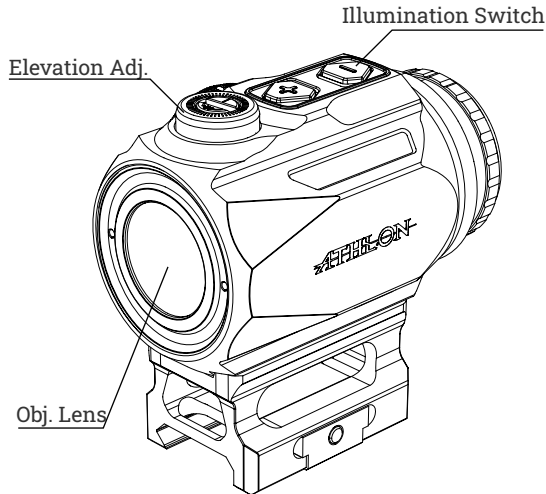
MIDAS FLARE 1X



PRISM SCOPE
USER MANUAL &
CARE INSTRUCTIONS

TABLE OF CONTENTS

1. Mounting the Scope
 - a) Focusing the Scope
 - b) Adjustment for Maximum Eye Relief
 - c) Bore Sighting
 - d) Zeroing the Scope
2. Reticle
3. Maintaining the Scope
4. Troubleshooting



Congratulations on purchasing an Athlon Prism Scope. Athlon is the ancient Greek word for "Prize" or "Medal." We think that with the purchase of your Athlon product you have won the best "prize" on the market today. Great Quality while still being a great value.

1. MOUNTING YOUR ATHLON PRISM SCOPE

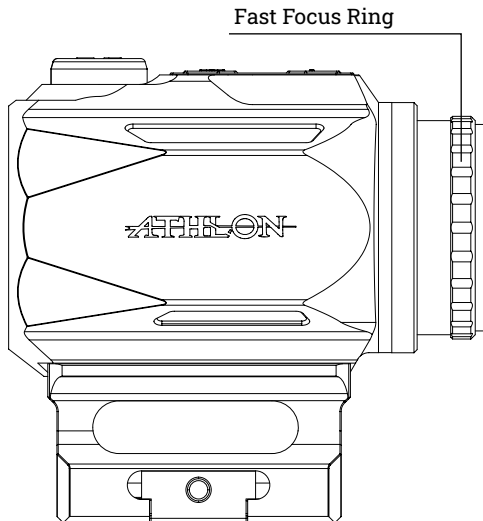
CAUTION: BEFORE MOUNTING A SIGHTING DEVICE BE SURE THAT THE FIREARM IS NOT LOADED, HAS ACTION OPEN AND THE MUZZLE POINTING IN A SAFE DIRECTION. SAFE FIREARM HANDLING PROCEDURES NEED TO BE PRACTICED AT ALL TIMES.

To achieve the best performance from your rifle and your Athlon Midas Flare 1x Prism Scope, your scope must be mounted properly. If you are unfamiliar with proper procedures to mount a scope, we highly recommend to have the scope mounted by a qualified gunsmith.

Your Athlon Prism Scope comes with a mount that works with most of standard picatinny rails. Please note that the center height of the Prism Scope is 1.57 inches from the center of the scope to the surface of the rail.

A) FOCUSING THE SCOPE

The purpose of the Fast Focus eyepiece is to focus the reticle in the scope to your eyes. For a fast focus eyepiece, just simply rotate the fast focus ring at the end of the eyepiece in either direction to get a perfect clear reticle while looking through the scope pointing at a flat plane surface. This is important to do prior to mounting.



B) ADJUST FOR MAXIMUM EYE RELIEF

- i. You need to adjust the scope for maximum eye relief before tightening of the scope mount to avoid injury from recoil.
- ii. With the rifle in normal shooting position, look through the scope and slowly move the scope and mount back towards you. When you finally see the full field of view with sharp and clear edges, stop.
- iii. Tighten the mount on the base or rail on top of your rifle.

C) BORE SIGHTING

Bore sighting is a preliminary procedure to achieve proper alignment of the scope with the rifle's bore.

- iv. The initial bore sighting of the scope can be at short range of 50 yards. This is easier than trying to bore sight at 100 yards and will get you on the paper at that distance, so to save time and money at the shooting range. We highly recommend using a bore sighter, but make sure to follow the manufacturer's instructions.

- v. This can also be done by removing the bolt and sighting through the barrel on a bolt action rifle. Make sure the rifle is placed solidly on a bench and the bolt is removed. You can then sight through the bore and center the target inside the barrel. With target centered in the bore, make windage and elevation adjustments until the reticle crosshair is also centered over the bulls eye.

D) ZEROING THE SCOPE

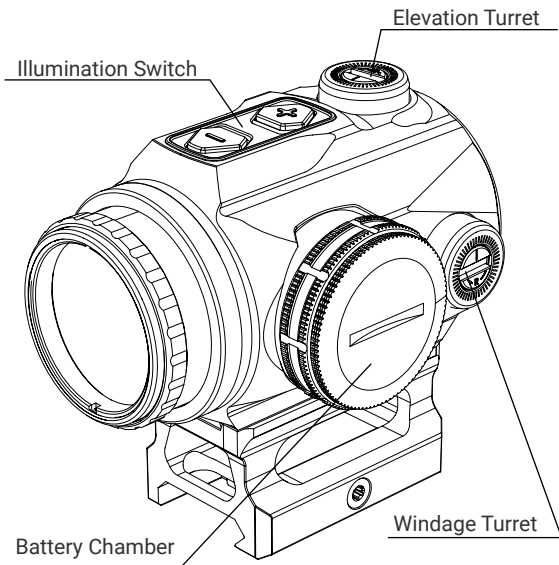
IF A LASER BORE SIGHTING OR ANY OTHER SIMILAR DEVICE INSIDE THE BORE WAS USED, IT MUST BE REMOVED BEFORE FIRING. AN OBSTRUCTED BORE CAN CAUSE SERIOUS DAMAGE TO THE GUN AND POSSIBLE INJURY TO THE SHOOTER.

- vi. Ideally set the rifle on a two or three holding point gun rest, and then fire three rounds at a target 100 yards away. Observe the bullet holes on the target and calculate how far those bullet holes are off the center of the target, and then adjust windage and elevation knobs to move the center of reticle up, down, left or right. Fire another three rounds, then observe and adjust. Repeat this step as necessary until the three round bullet holes are perfectly aligned with the center of the target.

vii. Setting Windage and Elevation

Athlon Prism Scopes have capped windage and elevation turrets. Simply remove the cap and use the knob on the top of the cap as a screwdriver to adjust the windage and elevation. Put the cap back on once your rifle is sighted in. By zeroing the rifle at 100 yards, the shooter can calculate how many clicks of adjustment are needed for different distances or wind conditions. After shooting, the shooter can quickly reset the prism scope back to 100 yards by turning the knobs back to zero.

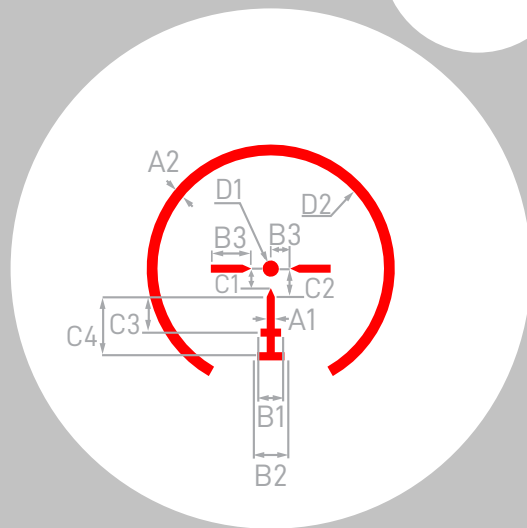
Athlon Midas Flare 1x Prism Scope has 1 MOA for click values of elevation and windage adjustment. MOA, a unit of angular measurement, is defined as a minute of angle, a minute is 1/60th of one degree and 1/21600th of a circle. One MOA equals 1.047-inch (rounded down to one inch) at 100 yards, two inches at 200 yards and ten inches at 1000 yards. 1 MOA per click takes one click to move point of impact one inch at 100 yards.



2. RETICLES

The Midas Flare 1X Prism Scope has 1X magnification with APX1 reticle. Please refer to the following drawing for reticle subtension details.

APX1 RETICLE



SUBTENSIONS IN MOA

A1	A2	B1	B2	B3	C1
2	3	7.6	10.2	11	7.2
C2	C3	C4	D1	D2	
10.5	13.2	22	6	66	

A) ILLUMINATION SETTINGS

The illumination switch is set on the left side of the scope chassis. The Midas Flare 1x has a total of 10 brightness settings. Press **+** or **-** button to turn the unit ON. Press and hold the **-** button for 3 seconds to turn it OFF. To enter lock mode, press and hold the **+** button for 3 seconds until the LED flashes once. To exit lock mode, press and hold the **+** button again for 3 seconds until the LED flashes once. When in lock mode, illumination cannot be adjusted, and the unit cannot be shut off.

Use the **+** button to make the reticle brighter and the **-** button to make it dimmer. Press **+** and **-** button at the same time to switch between reticle colors. The unit automatically turns OFF if no adjustments are made in 3 hours. The unit automatically sets the illumination at the last setting after a new battery is installed.

The illumination is powered by a CR2032 battery. Remove the battery chamber cap by turning it counter-clockwise. Reinstall the cap by turning it clockwise, **DO NOT OVER TIGHTEN.**

3. MAINTAINING YOUR PRISM SCOPE

- a) Disassembling or cleaning the scope internally will void the warranty. If the scope requires repairs, please refer to the warranty section for complete instructions.
- b) The external optical surfaces should occasionally be wiped clean. Use the lens cloth provided or an optical quality lens paper to wipe out dust or dirt on the external lens surface. If large sand particles or heavy dirt contamination is observed, remove using soft brush or by blowing them away. Apply lens cleaning liquid before wiping off. Always keep the protective lens covers in place when the scope is not in use to avoid dust collecting on the surface of the lenses. Store the unit in a low-humidity environment.

THE ATHLON GOLD MEDEL LIFETIME WARRANTY*

Your Athlon product is not only warranted to be free of defects in materials and workmanship for the lifetime of the product. Athlon will also repair or replace, at no charge to you, your product if you should damage it through normal use. No receipt is needed, no registration is required. This is a commitment that Athlon Optics will be the best product you can buy for your money.

****This warranty does not cover damages caused by deliberate damage, misuse, theft or maintenance provided by someone other than the Athlon Authorized Service Department.***



WARNING



INGESTION HAZARD: This product contains a button cell or coin battery.

Remove and immediately recycle or dispose of used batteries according to local regulations and keep away from children. Do **NOT** dispose of batteries in household trash or incinerate. Even used batteries may cause severe injury or death.

Call a local poison control center for treatment information. Non-rechargeable batteries are not to be recharged. Do not force discharge, recharge, disassemble, heat above (manufacturer's specified temperature rating) or incinerate. Doing so may result in injury due to venting, leakage or explosion resulting in chemical burns.

Ensure the batteries are installed correctly according to polarity (+ and -). Remove and immediately recycle or dispose of batteries from equipment not used for an extended period of time according to local regulations.

Always completely secure the battery compartment. If the battery compartment does not close securely, stop using the product, remove the batteries, and keep them away from children.

**SHARP, TIGHT
AND PRICED
JUST RIGHT!**

Toll free: 1-855-913-5678

contact@athlonoptics.com

10817 RENNER BLVD,
LENEXA, KS 66219

ATHLONOPTICS.COM