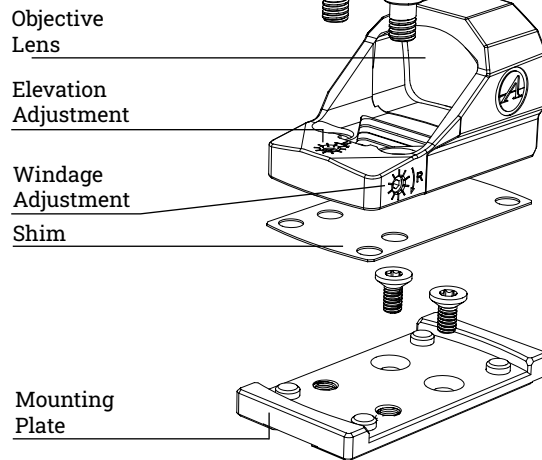


TALOS EDC PRO
USER MANUAL
AND CARE INSTRUCTIONS



Congratulations on purchasing an Athlon Talos EDC PRO Red Dot Sight. Athlon is the ancient Greek word for "Prize" or "Medal." We think with the purchase of your Athlon product you have won the best "prize" on the market today. Great Quality while still being a great value.



1. MOUNTING YOUR ATHLON RED DOT SIGHT

CAUTION: BEFORE MOUNTING A SIGHTING DEVICE BE SURE THAT THE FIREARM IS NOT LOADED, HAS ACTION OPEN AND THE MUZZLE POINTING IN A SAFE DIRECTION. SAFE FIREARM HANDLING PROCEDURES NEED TO BE PRACTICED AT ALL TIMES.

To achieve the best performance from your firearm and your Athlon Talos EDC PRO, the Talos EDC PRO must be mounted properly. If you are unfamiliar with proper procedures to mount a red dot, we highly recommend to have it mounted by a qualified gunsmith.

The Talos EDC PRO is designed to directly mount to many RMSc slide-cut firearms using the included screws, or by utilizing the firearm manufacturer-provided mounting plate and screws suitable for the RMSc footprint. When mounting the Talos EDC PRO, we recommend torquing the mounting screws to 10 in/lbs. Using a medium grade or blue Loctite thread locker is advised, however, do not use permanent or red Loctite. If an adapter plate is required, mount the

plate to the firearm first, ensuring it sits level to the mounting surface.

*The provided shim must always be placed between the base of the unit and the slide or adapter plate of the firearm.

TALOS EDC PRO CENTER HEIGHT

0.54 inches

A) EYE RELIEF

The Talos EDC PRO has unlimited eye relief. You can use the sight at any distance you feel comfortable.

B) ILLUMINATION

The Talos EDC PRO is powered by a CR2032 battery, providing up to 50,000 hours of illumination. The illumination can be turned on and off and has 10 brightness settings including an auto mode that can be turned on and off.

Controls:

- i. Press "+" or "-" to turn on. Hold "-" 3 seconds to turn off. When it reaches maximum/minimum brightness, the reticle will blink 3 times if "+/-" are pressed.
- ii. **Locked Mode:** Hold "+" 3 seconds to enter locked mode and the reticle will blink once to indicate locked mode. While in locked mode, illumination cannot be adjusted, and the unit cannot be shut off. **Exiting Locked Mode:** Hold "+" for 3 seconds until the reticle blinks once.
- iii. **Auto Mode:** Hold "+" and "-" together to switch between manual/auto brightness setting. The reticle will blink twice to indicate the switch between manual or auto. When switching from auto to manual mode, the brightness setting will default to a medium setting. After 5 minutes of no motion detected, the sight will enter sleep mode.
- iv. **Illumination Memory:** If the battery is taken out without turning it off, the sight will return to its previous brightness level after turning on again.

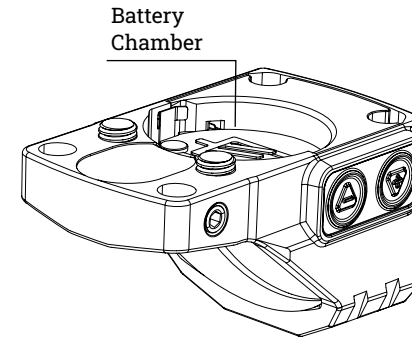
C) SIGHTING IN

After mounting, an initial sight-in is required. We recommend doing this at a close range of roughly 10 yards before finalizing the adjustments at your desired zero distance.

- i. Fire a 3-5 shot group as accurately as possible at a close-range distance of 10 yards.
- ii. Using this group as a reference, adjust the windage and elevation screws and fire another 3-5 shot confirmation group. Repeat until your point of aim intersects with your point of impact. Confirm your group is centered around the bullseye of the intended target before moving on.
- iii. Moving to your final sight-in distance, continue firing 3-5 shot groups and adjusting the optic until your group is centered around the bullseye of the intended target.

D) BATTERY:

To remove or change the battery, simply unmount the optic and replace the battery on the bottom of the housing. Insert the battery with the negative (-) side towards the housing. The positive (+) side should be visible on the outside. Remount the optic following the same procedure used in the initial mounting. It is advised to always reconfirm your zero to ensure proper mounting and no further changes were made.

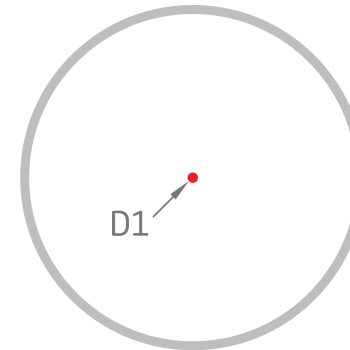


2. RETICLES

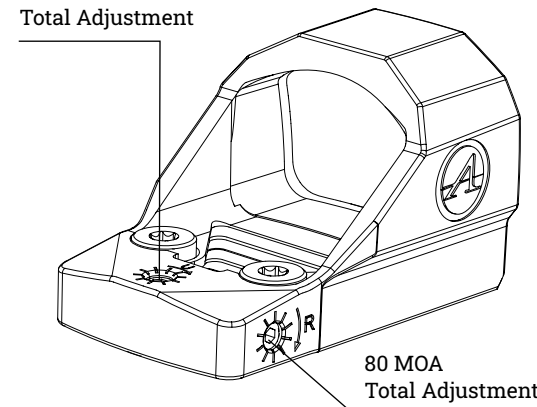
The Talos EDC PRO features a 3 MOA red dot with a fixed 1x magnification. This combination is ideally suited to perfectly balance accuracy and fast target/reticle acquisition.

TALOS EDC PRO RETICLE

D1 = 3 MOA



80 MOA
Total Adjustment



4. THE ATHLON GOLD MEDAL LIFETIME WARRANTY*

Demand the most from your equipment. When things go unexpectedly or accidents happen, rest assured, Athlon Optics carry a lifetime transferable warranty. Athlon guarantees to repair or replace your product if damaged through normal use. No charge; No receipt; No Registration required.



**This warranty does not cover damages caused by deliberate damage, misuse, theft or maintenance provided by someone other than the Athlon Authorized Service Department.*

WARNING



INGESTION HAZARD: This product contains a button cell or coin battery. Battery: CR2032. Nominal Voltage: 3.0V 10mAh. Remove and immediately recycle or dispose of used batteries according to local regulations and keep away from children. Do NOT dispose of batteries in household trash or incinerate. Even used batteries may cause severe injury or death. Call a local poison control center for treatment information. Non-rechargeable batteries are not to be recharged. Do not force discharge, recharge, disassemble, heat above (manufacturer's specified temperature rating) or incinerate. Doing so may result in injury due to venting, leakage or explosion resulting in chemical burns. Ensure the batteries are installed correctly according to polarity (+ and -). Remove and immediately recycle or dispose of batteries from equipment not used for an extended period of time according to local regulations. Always completely secure the battery compartment. If the battery compartment does not close securely, stop using the product, remove the batteries, and keep them away from children.

**SHARP, TIGHT
AND PRICED
JUST RIGHT!**

Toll free: 1-855-913-5678

contact@athlonoptics.com

10817 RENNER BLVD,
LENEXA, KS 66219

ATHLONOPTICS.COM