

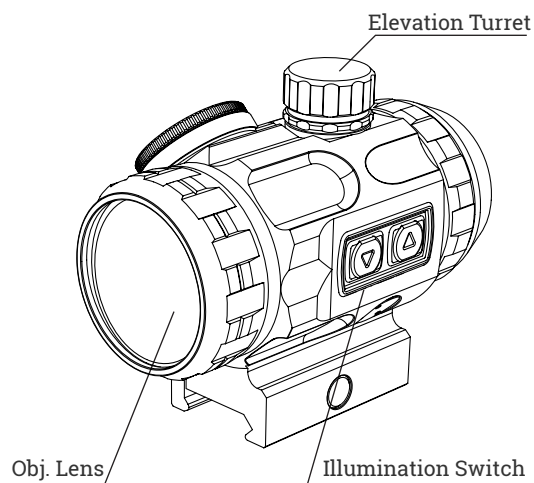
## RED DOT SIGHT

USER MANUAL  
AND CARE INSTRUCTIONS



WWW.ATHLONOPTICS.COM

Congratulations on purchasing an Athlon Red Dot Sight. Athlon is the ancient Greek word for "Prize" or "Medal." We think with the purchase of your Athlon product you have won the best "prize" on the market today. Great Quality while still being a great value.



### 1. MOUNTING YOUR ATHLON RED DOT SIGHT

**CAUTION: BEFORE MOUNTING A SIGHTING DEVICE BE SURE THAT THE FIREARM IS NOT LOADED, HAS ACTION OPEN AND THE MUZZLE POINTING IN A SAFE DIRECTION. SAFE FIREARM HANDLING PROCEDURES NEED TO BE PRACTICED AT ALL TIMES.**

To achieve the best performance from your firearm and your Athlon Red Dot Sight, your Red Dot Sight must be mounted properly. If you are unfamiliar with proper procedures to mount a scope, we highly recommend to have the scope mounted by a qualified gunsmith

Your Athlon Red Dot Sight comes with a mount that works with most of standard picatinny rails. Please note that the center heights of different sights are different and refer to below table for details.

Athlon Model	Center Height
TSR3	1.39 inches

### A) EYE RELIEF

- i. The Red Dot Sights have unlimited eye relief that means you can mount the sight at any distance from your eye as long as you feel comfortable and have the desired field of view you needed. You certainly do not want to mount it at too close to your eye as you want to be sure that the distance between the sight and your eye is long enough to prevent any potential injury caused by recoil from your firearm.
- ii. Once you find the position, just tighten the mount on the base or rail on top of your rifle.

### B) BORE SIGHTING

Bore sighting is a preliminary procedure to achieve proper alignment of the sight with the rifle's bore.

- i. The initial bore sighting of the red dot sight can be at short range of 50 yards. This is easier than trying to bore sight at 100 yards and will get you on the paper at that distance, so to save time and money at the shooting range. We highly recommend using a bore sighter, but make sure to follow the manufacturer's instructions.

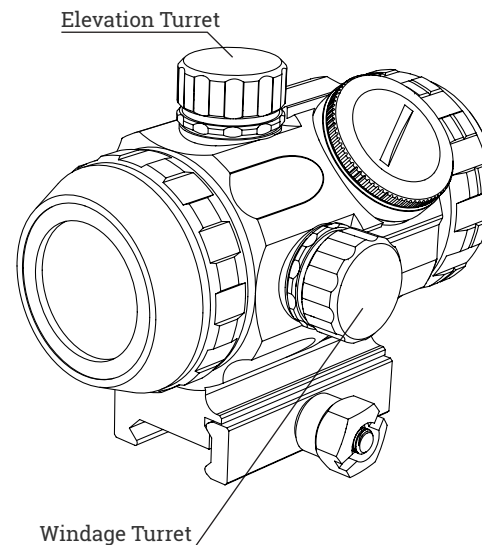
### C) ZEROING THE SIGHT

**IF A LASER BORE SIGHTING OR ANY OTHER SIMILAR DEVICE INSIDE THE BORE WAS USED, IT MUST BE REMOVED BEFORE FIRING. AN OBSTRUCTED BORE CAN CAUSE SERIOUS DAMAGE TO THE GUN AND POSSIBLE INJURY TO THE SHOOTER.**

- i. Ideally set the rifle on a two or three holding point gun rest, and then fire three rounds at a target 100 yards away. Observe the bullet holes on the target and calculate how far those bullet holes are off the center of the target, and then adjust windage and elevation knobs by using the wrench provided or simply a coin to move the center of reticle up, down, left or right. Fire another three rounds, then observe and adjust. Repeat this step as necessary until the three round bullet holes are perfectly aligned with the center of the target.

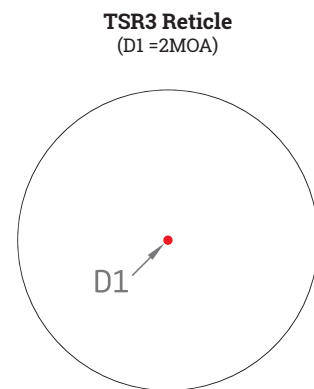
- ii. Setting Windage and Elevation  
Athlon Red Dot Sights have capped windage and elevation turret knob. Once a rifle has been sighted in, simply put the turret caps back on. Your zero position should be locked and ready for your target at any time.

Athlon Red Dot Sights have 1/2 MOA click value for TSR3 of elevation and windage adjustment. MOA, a unit of angular measurement, is defined as a minute of angle, a minute is a 1/60th of one degree and 1/21600th of a circle. One MOA equals 1.047 - inch (rounded down to one inch) at 100 yards, two inches at 200 yards and to ten inches at 1000 yards. 1/2 MOA per click takes two clicks to move point of impact one inch at 100 and 1 MOA per click takes just one click at 100 yards.



### 2. RETICLES

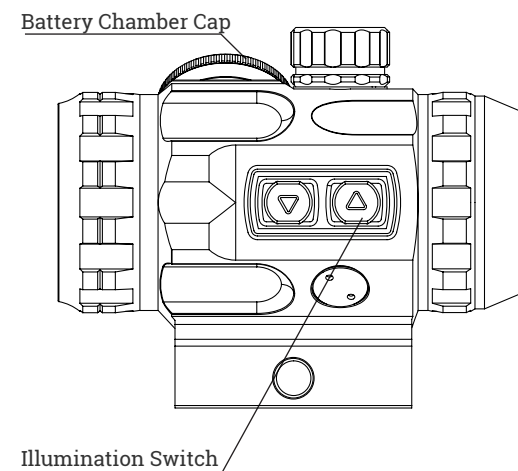
All Athlon Red Dot Sights have fixed 1x magnification. TSR3 has a 2 MOA red dot that is designed for short range quick target engagement.



### A) ILLUMINATION

The illumination switch is set on the side of the scope chassis. TSR1 has 10 illumination settings and TSR2 has 13. Press plus button to turn the unit ON. Press and hold the plus button for 3 seconds to turn it OFF. The unit goes into sleep mode for any 5 minutes without motion and then turns back on when a motion is detected. The motion detector is only working when the unit is powered ON. The illumination for TSR1 is powered by a lithium CR2032 3V battery, and AAA alkaline battery for TSR2. Remove the battery chamber cap by turning it counter-clockwise and then set the battery with the positive (+) side facing up. Reinstall the cap by turning it clockwise, DO NOT OVER TIGHTEN. The unit remembers the last illumination setting used when changing the battery.

TSR3 has 50,000 hours battery life at medium illumination setting.



### 3. MAINTAINING YOUR RED DOT SIGHTS

Disassembling or cleaning the sight internally will void the warranty. If the sight requires repairs, please refer to the warranty section for complete instructions.

The external optical surfaces should occasionally be wiped clean. Use the lens cloth provided or an optical quality lens paper to wipe out dust or dirt on the external lens surface. If large sand particles or heavy dirt contamination is observed, remove using soft brush or by blowing them away. Apply lens cleaning liquid before wiping off. Always keep the protective lens covers in place when the scope is not in use to avoid dust collecting on the surface of the lenses. Store the unit in a low-humidity environment.

For any technical related questions, please contact Athlon Optics at [contact@athlonoptics.com](mailto:contact@athlonoptics.com) or call toll free 1-855-913-5678

### THE ATHLON GOLD MEDAL LIFETIME WARRANTY\*

Your Athlon product is not only warranted to be free of defects in materials and workmanship for the lifetime of the product, but Athlon will also repair or replace, at no charge to you, your product if you should damage it through normal use. No receipt is needed, no registration is required. This is a commitment that Athlon Optics will be the best product you can buy for your money.



\*This warranty does not cover damages caused by deliberate damage, misuse, theft or maintenance provided by someone other than the Athlon Authorized Service Department.